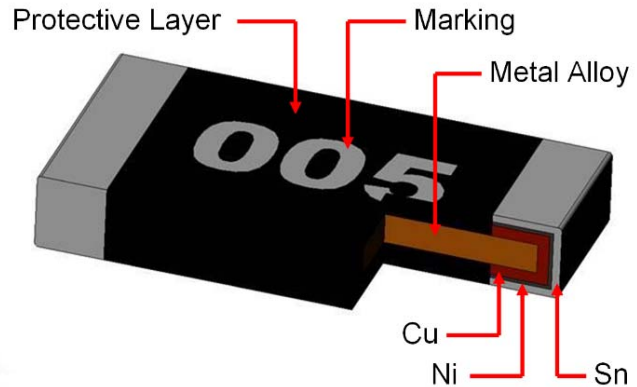


■ Features

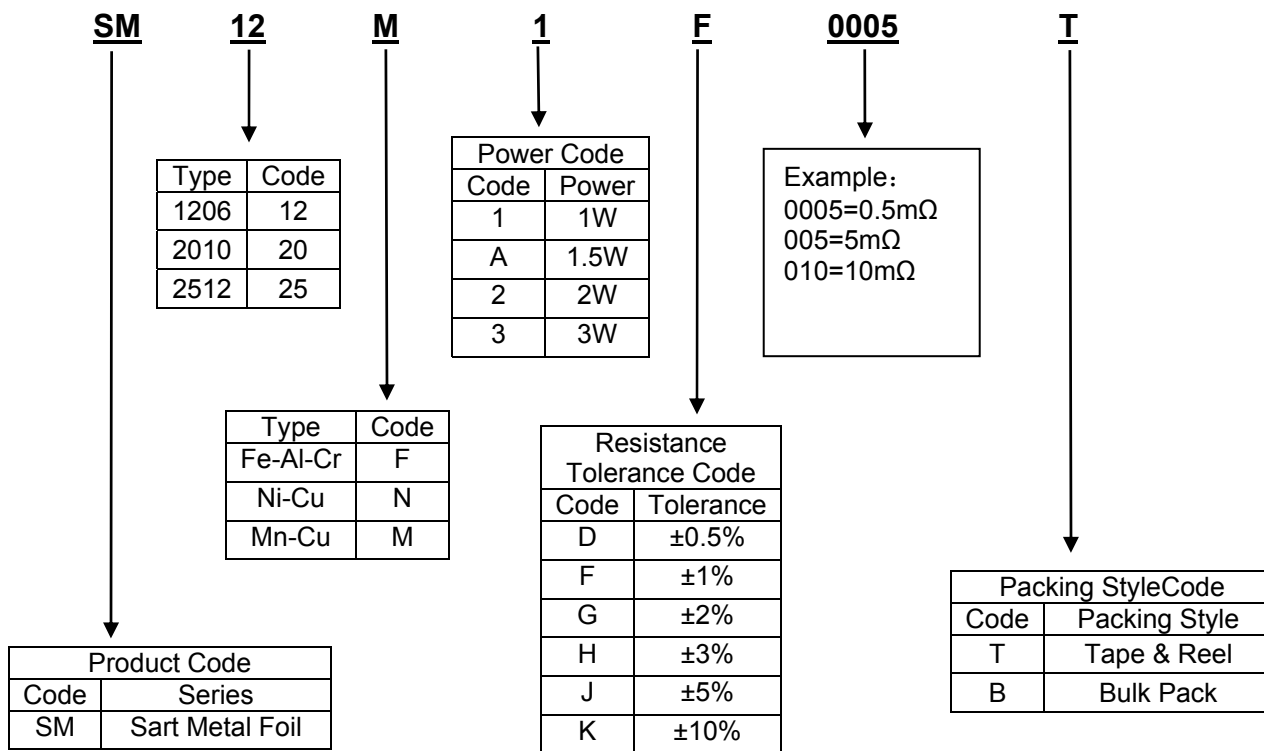
- Low Resistance values
- High precision
- High-temperature performance (270°C)
- TCR $\leq \pm 50 \text{ppm}/^\circ\text{C}$
- Very low inductance 0.5nH to 5nH
- Low thermal EMF
- Resist high pulse
- High power density
- Compatible with RoHS and Halogen free.



■ Applications

- Power Supply. Battery Pack. DIY Tools. Inverter/Converter (AC/DC, DC/DC, DC/AC). Measurable Instrument.
- Consumer Electrics. Note Book. PC Power Pack. LED Driver. Others (Auto Tronics... etc.).

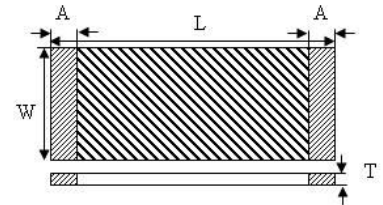
■ Type Designation



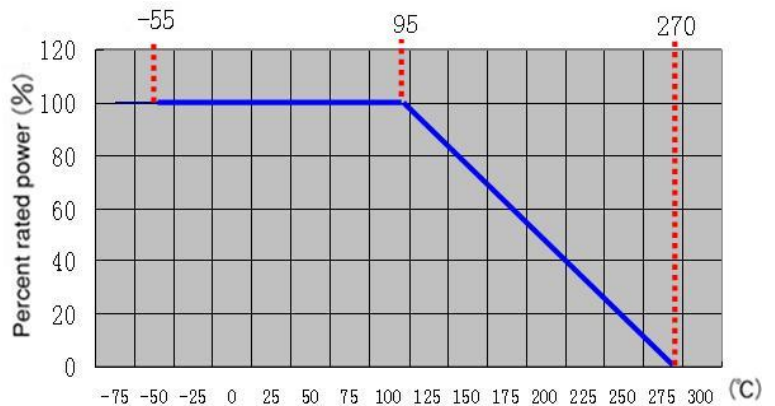
■ Reference Standard

■ Shape & Dimensions

Type	Maximum power Rating(W)	Resistance Range(mΩ)	L (mm)	W(mm)	T (mm)	A (mm)
1206	1.0	1.0~50.0	3.15±0.25	1.60±0.25	0.75±0.25	0.50±0.25
2010	1.0	0.5~3.0	5.10±0.25	2.54±0.25	0.80±0.25	1.60±0.25
		3.1~100.0				0.80±0.25
2512	1.0&1.5	0.5~4.0	6.25±0.25	3.30±0.25	0.80±0.25	1.88±0.25
		4.1~100.0				1.13±0.25
	2.0	0.5~4.0				1.88±0.25
		4.1~75.0				1.13±0.25
	3.0	0.5				1.88±0.25
		0.6~2.9				1.13±0.25
		3.0~4.0				1.68±0.25
		4.1~10.0				1.13±0.25



■ Derating Curve



■ Rating

Type	Max Rating Power	Max Overload Current	Range(mΩ)	TCR (ppm/°C)	Resistance tolerance	Operating Temperature
1206	1W	63.25A	1.0~4.0mΩ	+50	F(±1%);G(±2%); J(±5%)	-55~+270°C
			4.1~15.0mΩ	-25		
			15.1~50mΩ	-15		
2010	1W	89.44A	0.5~3.0mΩ	+50		
			3.1~6.9mΩ	-25		
			7.0~100mΩ	-15		
2512	1W&1.5W	100.00A&122.48A	0.5~3.0mΩ	+50		
			3.1~6.9mΩ	-25		
			7.0~100mΩ	-15		
	2W	126.49A	0.5~3.0mΩ	+50		
			3.1~6.9mΩ	-25		
			7.0~75mΩ	-15		
3W	134.16A	0.5~2.0mΩ	+50			
		2.1~10.0mΩ	-25			